



Sanitary
flow
equipment

Quality System
Certified ISO 9001



VSL 310130 MAN-L-TC dimensions Rev.1.doc
Page 1 of 2

VS3V THREE WAYS BALL VALVE 310130

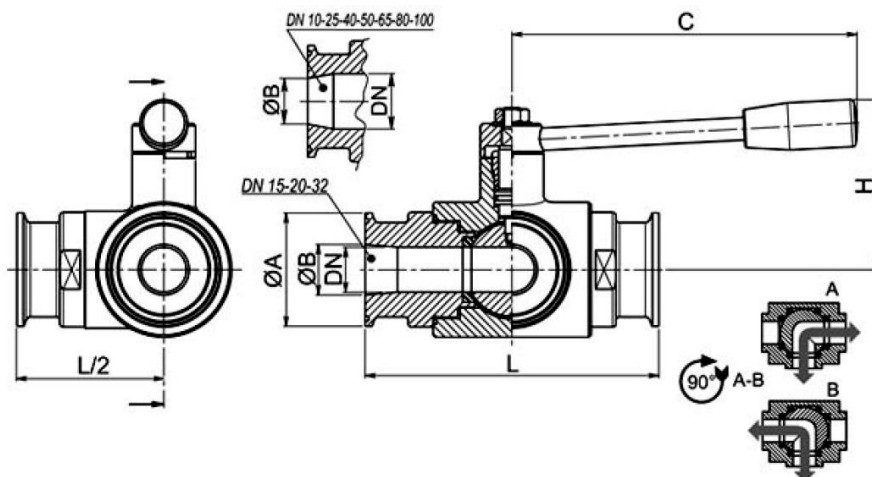


310130

3 WAYS ball valves, 4 seals, 'L' hole
Steering control: stainless steel lever
Connection: Clamp ISO 2852 – DIN 32676
Bore through: Total
Material: AISI 316
Size: from 1/2" to 4"
Seals: P.T.F.E. virgin
Operating Temperature: -20°C +160°C
Surface Finish: Glossy

On Request

• KF connection



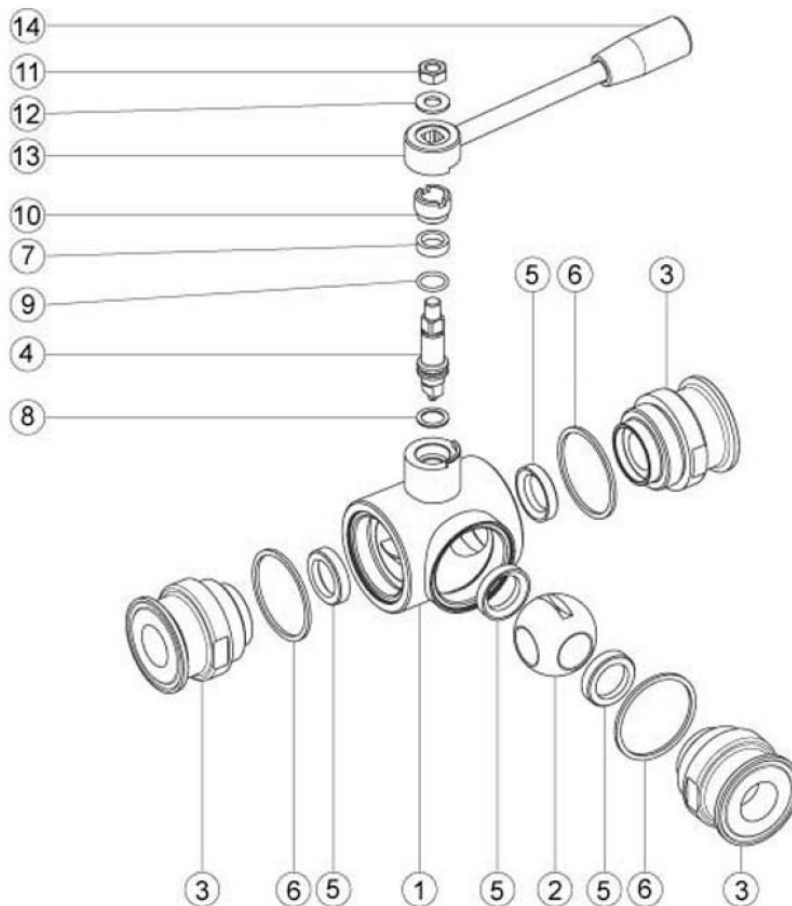
CLAMP	DN	L	Ø A	Ø B	C	H	PN	Kg	CODICE AISI 304L	CODICE AISI 316L
1/2"	10	108	25	9,7	110	60	40	1,08		310130 61210
3/4"	15	118	25	16	110	65	40	1,31		310130 61810
DIN 20	15	118	34	20	110	65	40	-		310130 61910
DIN 20	20	130	34	20	160	70	40	-		310130 62010
1"	20	130	50,5	22,2	160	70	40	2,47		310130 62410
1"	25	140	50,5	22,2	160	80	40	3,17	310130 42610	310130 62610
1 1/2"	32	156	50,5	34,8	190	95	40	4,98	310130 43210	310130 63210
1 1/2"	40	172	50,5	34,8	190	110	40	7,40	310130 43410	310130 63410
2"	50	182	64	47,5	235	120	25	8,80	310130 43810	310130 63810
2 1/2"	65	196	77,5	60,2	285	130	25	11,18	310130 44410	310130 64410
3"	80	256	91	72,6	310	145	16	22,76	310130 44810	310130 64810
4"	100	286	119	97,6	310	160	16	35,44	310130 45410	310130 65410

Aerre Inox s.r.l.

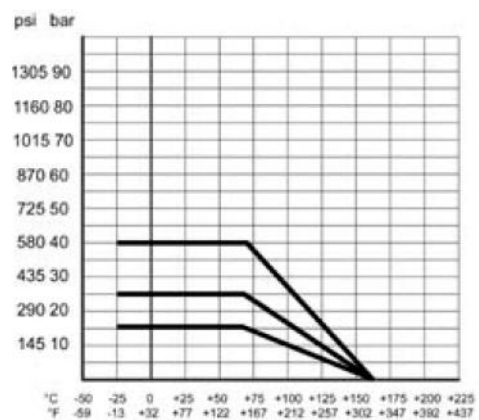
26010 FIESCO Via Gerola n.4 -CREMONA- Italy
Tel. +39.0374.370828 Fax +39.0374.370833
e-mail : info@aerreinox.it http : www.aerreinox.it



Sanitary
flow
equipment



POS.	DENOMINAZIONE	P.ZI	MAT.
1	Corpo	1	AISI 316L
2	Sfera	1	AISI 316L
3	Manicotti	3	AISI 316L
4	Perno	1	AISI 316L
5	Guarnizioni sfera	4	PTFE
6	Guarnizioni manicotti	3	PTFE
7	Guarnizione perno	1	PTFE
8	Guarnizione perno	1	PTFE
9	OR di tenuta perno	1	FKM
10	Ghiera di registro	1	AISI 304L (303)
11	Dado	1	AISI 304L
12	Rondella	1	AISI 304L
13	Leva	1	AISI 304L
14	Impugnatura	1	Resina



Get the information you need and more at : info@aerinox.it

In the interests of development and improvement of the product, we reserve the right to change the specifications without prior notice.

Aerre Inox s.r.l.

26010 FIESCO Via Gerola n.4 -CREMONA- Italy
Tel. +39.0374.370828 Fax +39.0374.370833
e-mail : info@aerinox.it http : www.aerinox.it